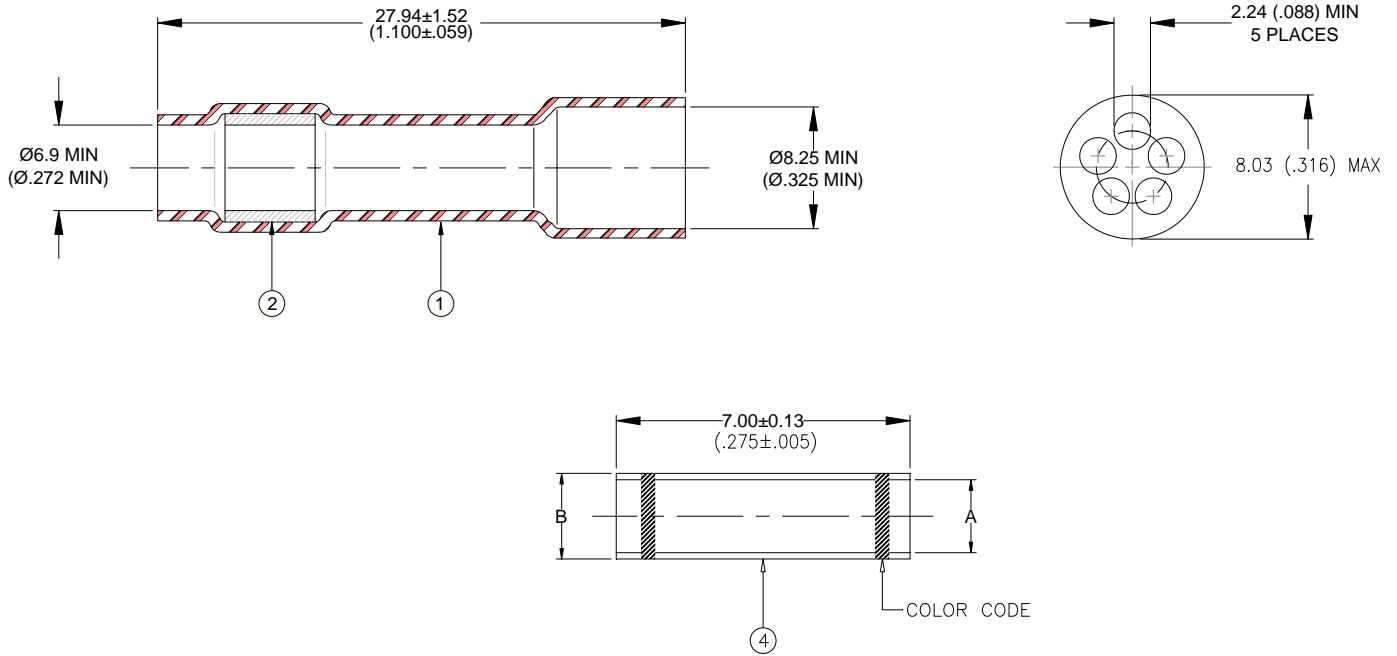


## CUSTOMER DRAWING



### MATERIALS

1. INSULATION SLEEVE: Heat-shrinkable, transparent blue, radiation cross-linked modified polyvinylidene fluoride.
2. MELTABLE INSERT: Low outgassing immersion resistant thermoplastic, color-natural.
3. MULTI-HOLE INSERT: Low outgassing immersion resistant thermoplastic, color-natural.
4. STUB SPLICE: Base Metal: Copper Alloy 102 per ASTM B-75.  
Plating: Ductile Nickel per QQ-N-290.

### APPLICATION

1. This part is designed to provide immersion resistant stub splice of multi-conductor cable containing up to 5 wires, 2.16 (0.85) max or 10 wires 1.12 (0.044) max or in-line splices having up to 5 wires, 2.16 (0.085) max or 10 wires 1.12 (0.044) max. on one side and one wire on the other. The diameter of the single wire in the splice shall not be less than 3.18 (.125).
2. Temperature rating: -65°C to +175°C continuous.
3. Sleeves may be installed by convection heating, crimps use Raychem AD-1377 tool.

#### Dimensions of Stub Splicer:

Part Name	Prod. Rev.	CMA Range	A	B	Color Code
D-436-0113	A	779 - 2680	1.70±0.05 (0.067±0.002)	2.62±0.05 (0.103±0.002)	Blue
D-436-0114	A	1900 - 6755	2.54±0.05 (0.100±0.002)	3.81±0.08 (0.150±0.003)	Yellow

© 2013 TYCO ELECTRONICS CORPORATION. ALL RIGHTS RESERVED.

		Raychem Devices	TITLE: <b>(5 at 2.24 (0.088)) STUB SPLICE SEALING SYSTEM, MULTI-WIRE with SEPARATE INSERT</b>				
UNLESS OTHERWISE SPECIFIED DIMENSIONS ARE IN MILLIMETERS. INCHES DIMENSIONS ARE BETWEEN BRACKETS.			DOCUMENT NO.: <b>D-436-0113/-0114</b>				
TOLERANCES: 0.00 N/A 0.0 N/A 0 N/A	ANGLES: N/A  ROUGHNESS IN MICRON	Raychem reserves the right to amend this drawing at any time. Users should evaluate the suitability of the product for their application.	REVISED PER ECO: 13-015428		REPLACES: N/A		
DRAWN BY: T. NGUYEN	DATE: October-02-2013	PROD. REV. SEE TABLE	REVISION: B2	SCALE: None	SIZE: A	SHEET: 1 of 1	

If this document is printed it becomes uncontrolled. Check for the latest revision.